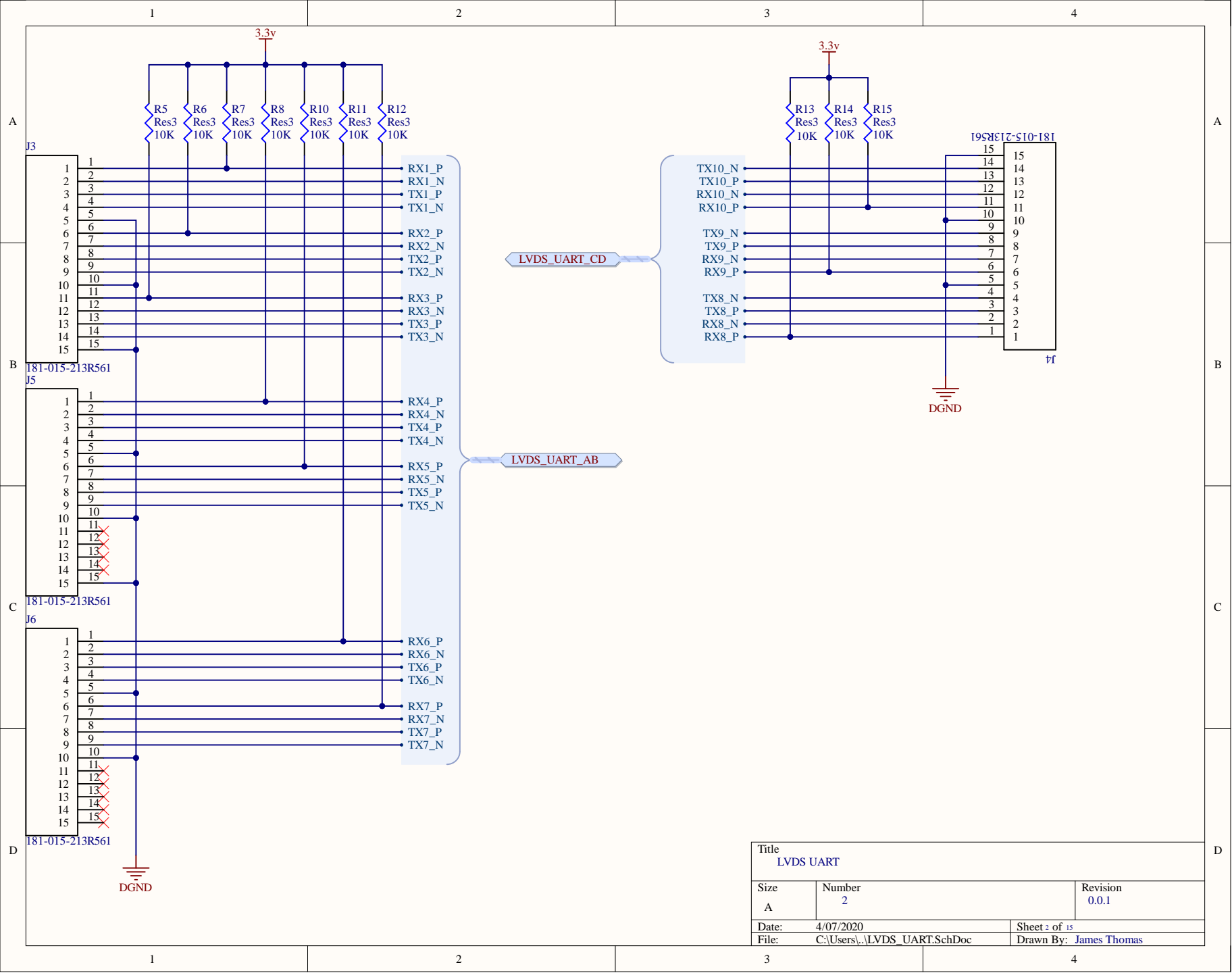
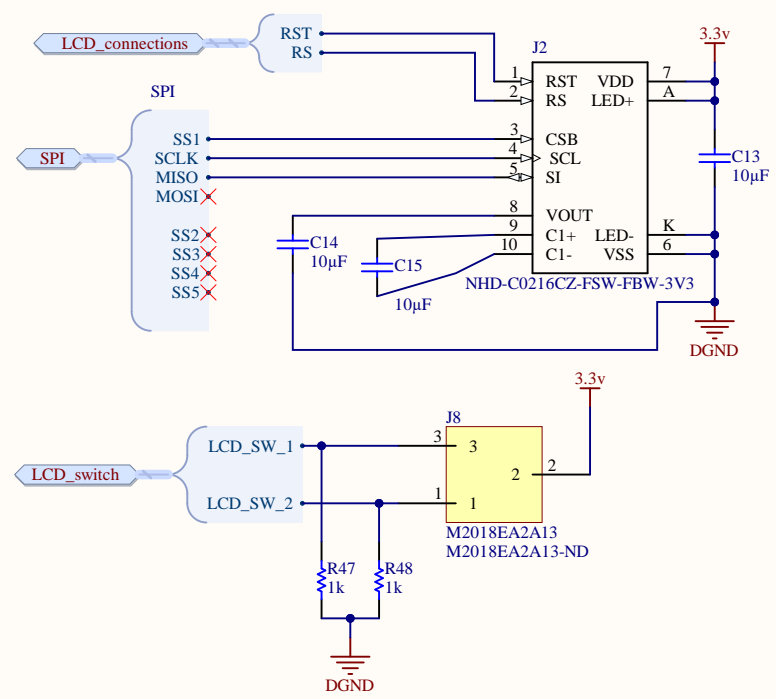


Title ADC with Harness		
Size A	Number 1	Revision 0.0.1
Date:	4/07/2020	Sheet 1 of 15
File:	C:\Users\...\ADCwHarness.SchDoc	Drawn By: Max Bakes

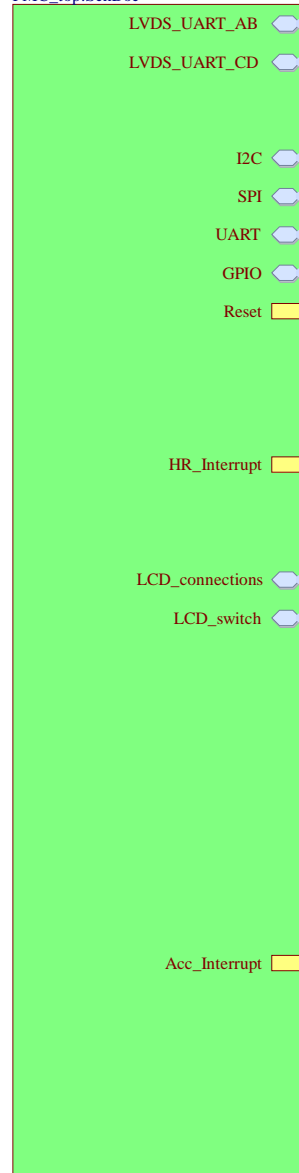


Title LVDS UART		
Size A	Number 2	Revision 0.0.1
Date:	4/07/2020	Sheet 2 of 15
File:	C:\Users\...\LVDS_UART.SchDoc	Drawn By: James Thomas

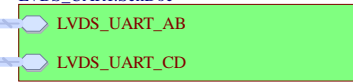


Title LCD Screen		
Size A	Number 3	Revision 0.0.1
Date:	4/07/2020	Sheet 3 of 15
File:	C:\Users\...\LCD_Screen.SchDoc	Drawn By: Michael Ashford

FMC\_CONNECTOR  
FMC\_top.SchDoc



LVDS\_UART\_CONNECTORS  
LVDS\_UART.SchDoc



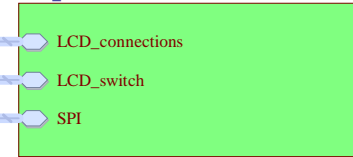
EXT\_CONNECTIONS  
Ext\_Connections.SchDoc



I2C\_Sensors  
I2C\_sensors.SchDoc



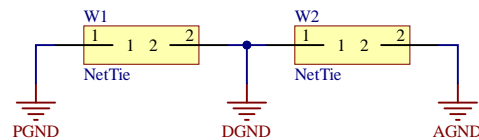
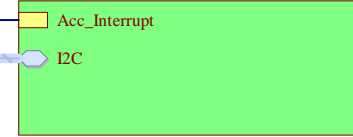
LCD  
LCD\_Screen.SchDoc



ADC  
ADCwHarness.SchDoc

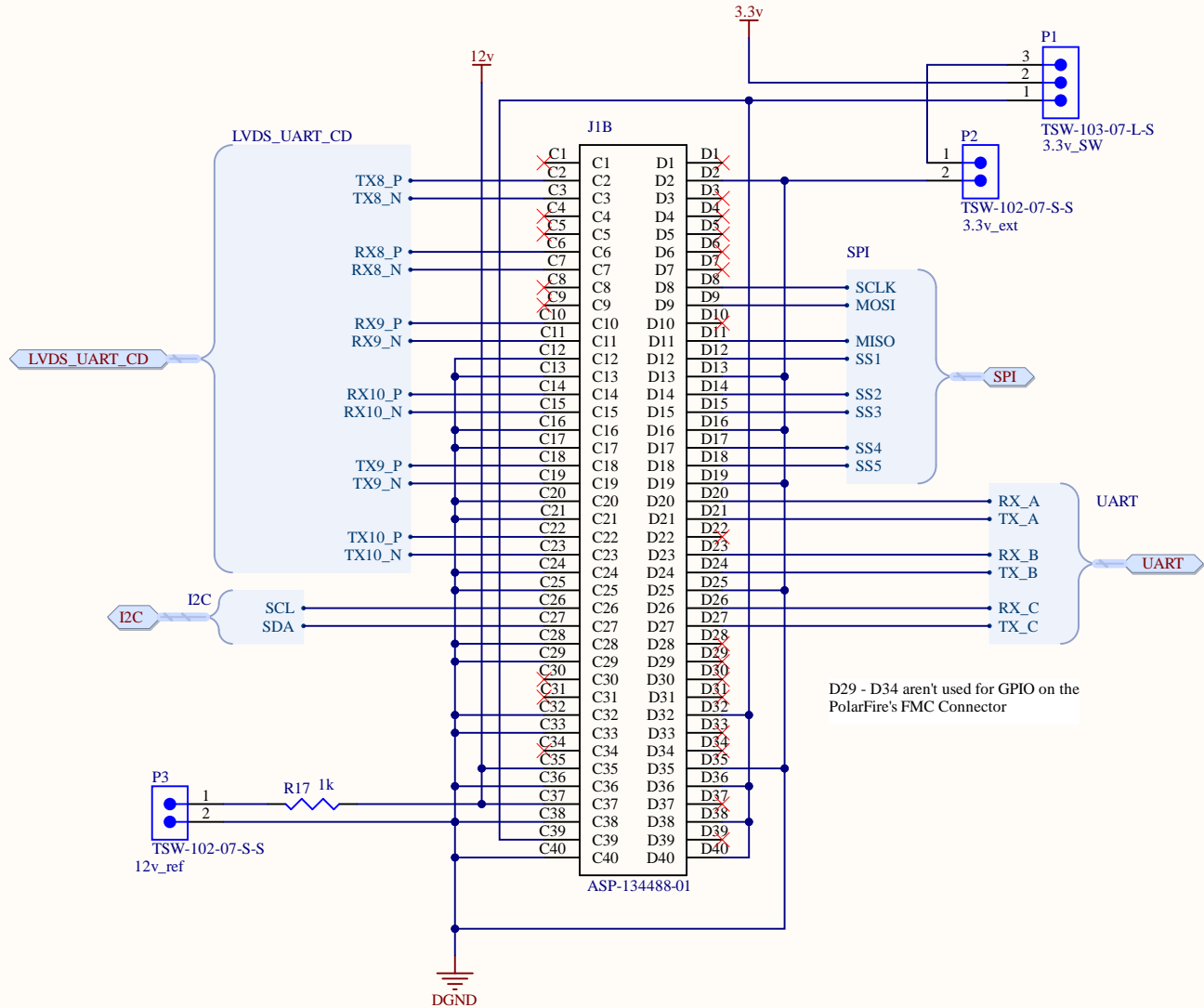


Accelerometer  
Accelerometer.SchDoc



Title  
FMC Connector Top

Size A	Number 4	Revision 0.0.1
Date:	4/07/2020	Sheet 4 of 15
File:	C:\Users\...\top.SchDoc	Drawn By: Zac Carico



Title FMC Connector CD		
Size A	Number 5	Revision 0.0.1
Date:	4/07/2020	Sheet s of 15
File:	C:\Users\...\FMC_connector_CD.SchDoc	Drawn By: James Thomas

A

A

B

B

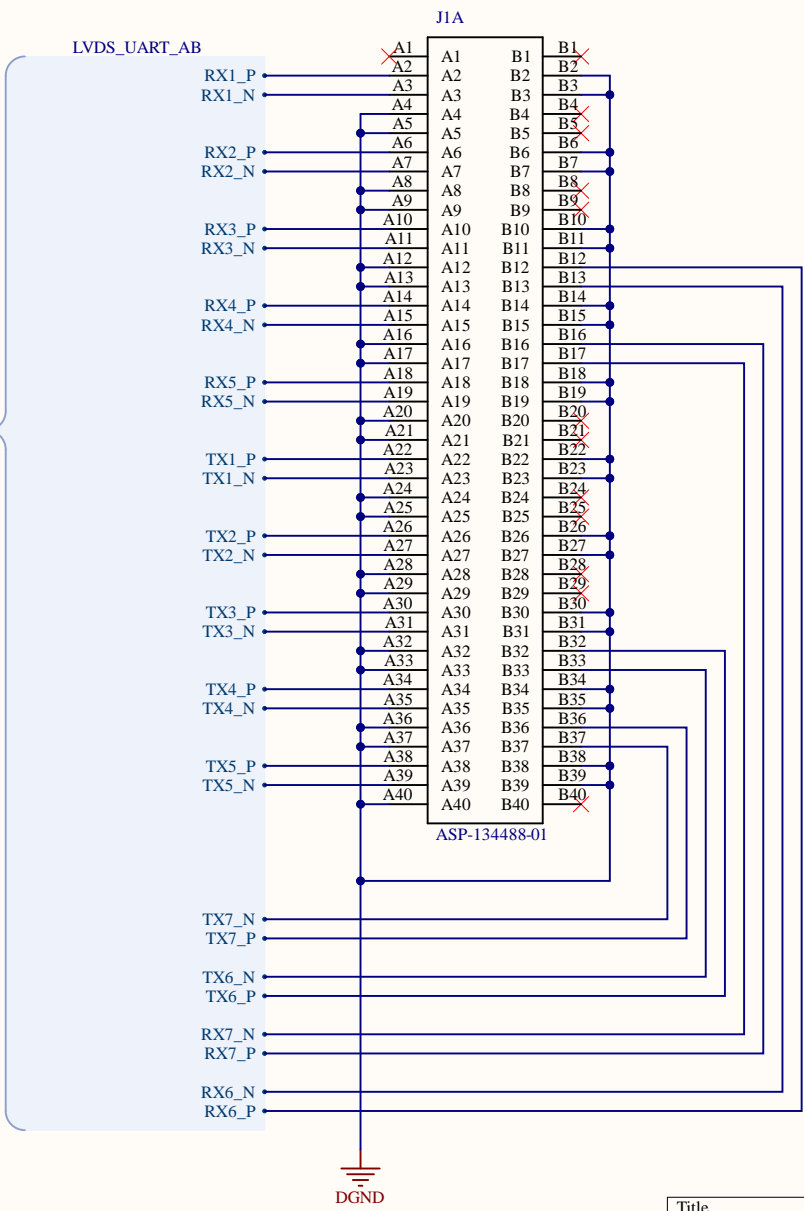
C

C

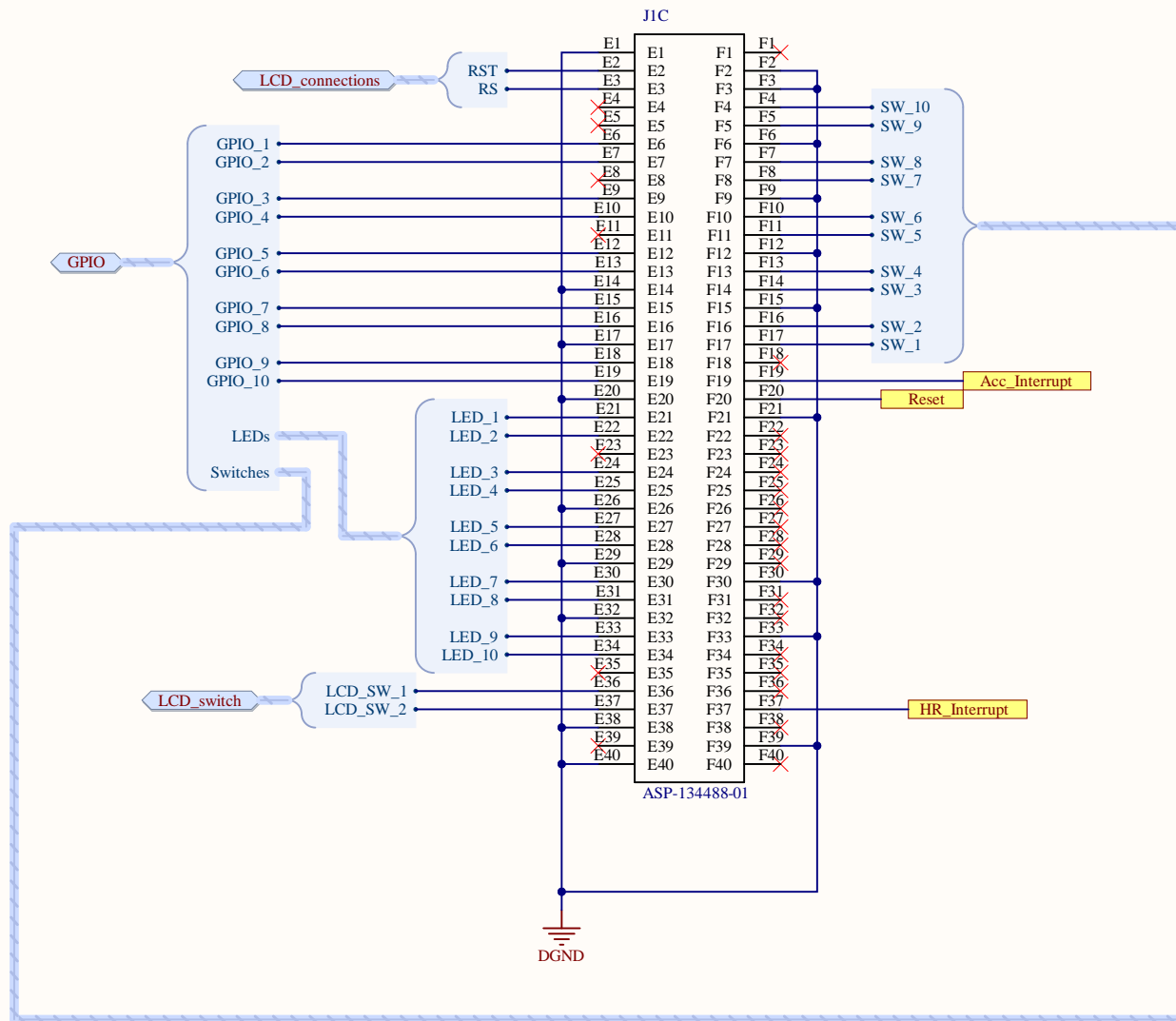
D

D

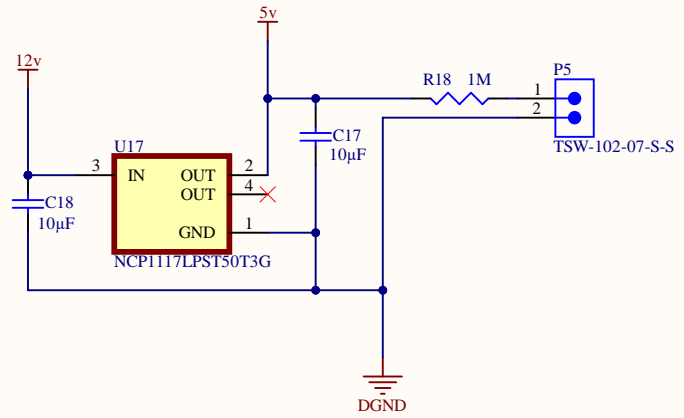
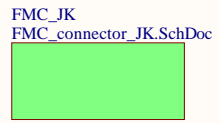
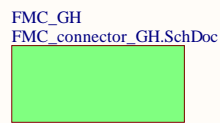
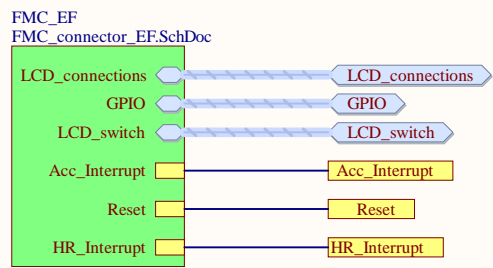
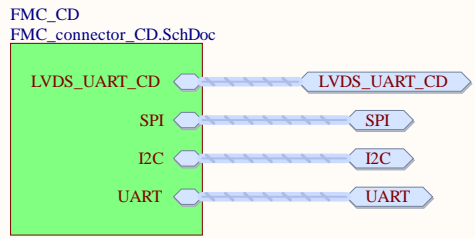
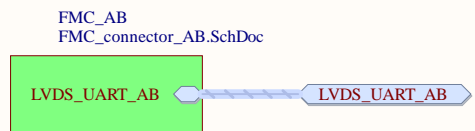
LVDS\_UART\_AB



Title FMC Connector AB		
Size A	Number 6	Revision 0.0.1
Date:	4/07/2020	Sheet 6 of 15
File:	C:\Users\...\FMC_connector_AB.SchDoc	Drawn By: James Thomas

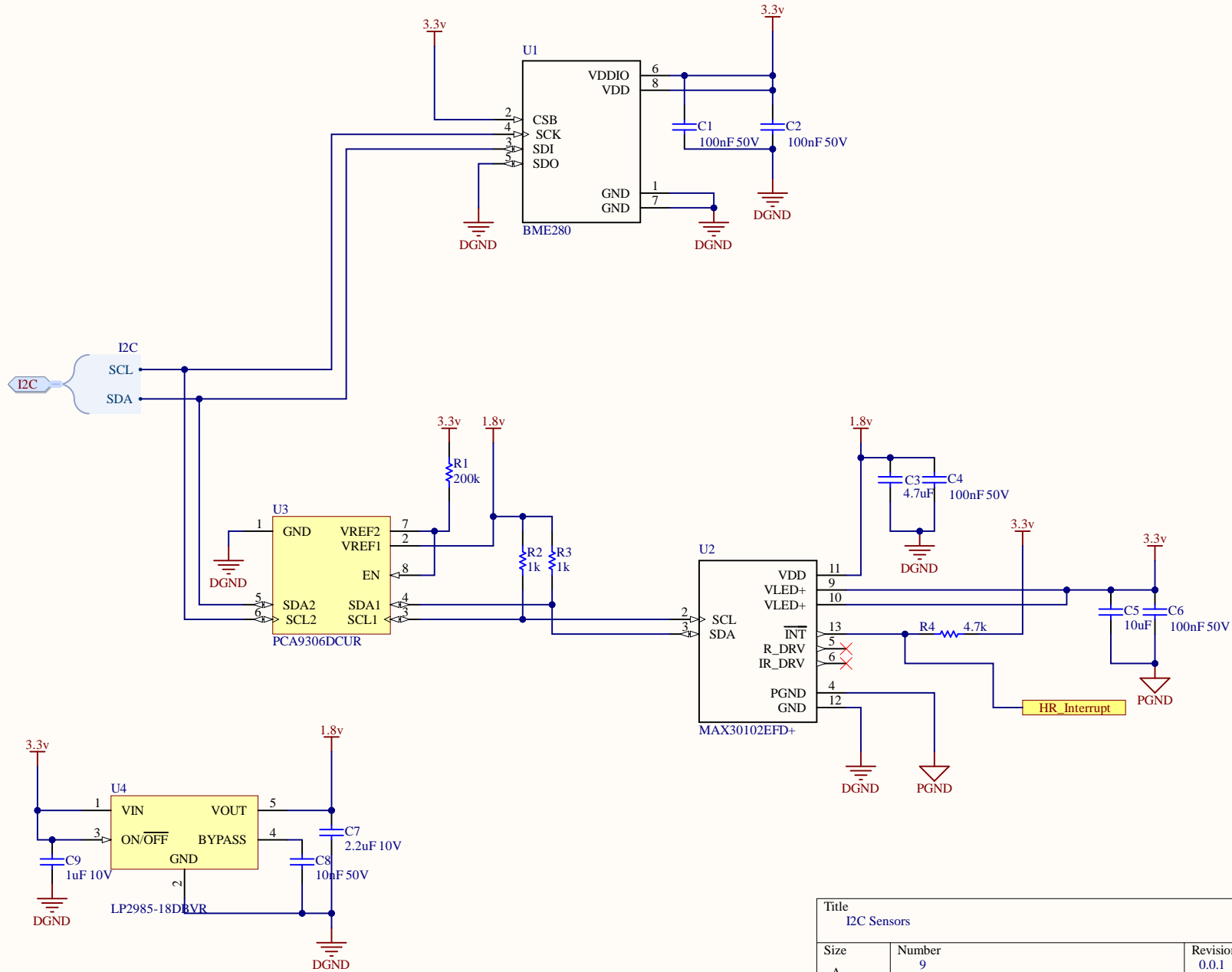


Title FMC Connector EF		
Size A	Number 7	Revision 0.01
Date:	4/07/2020	Sheet 7 of 15
File:	C:\Users\...\FMC_connector_EF.SchDoc	Drawn By: James Thomas

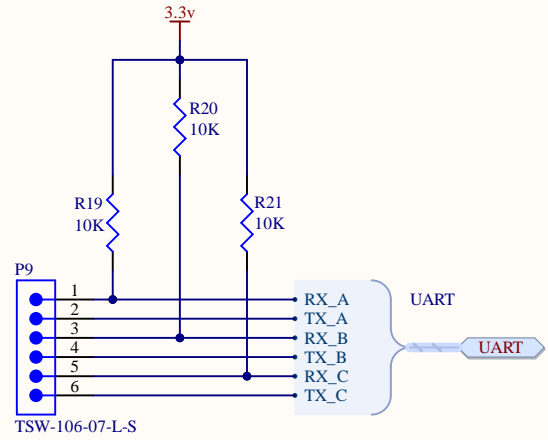
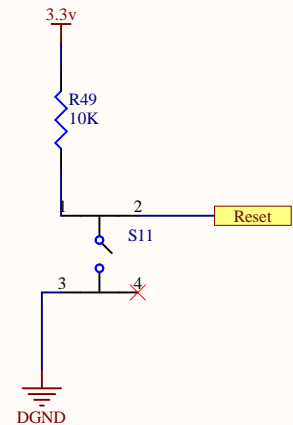
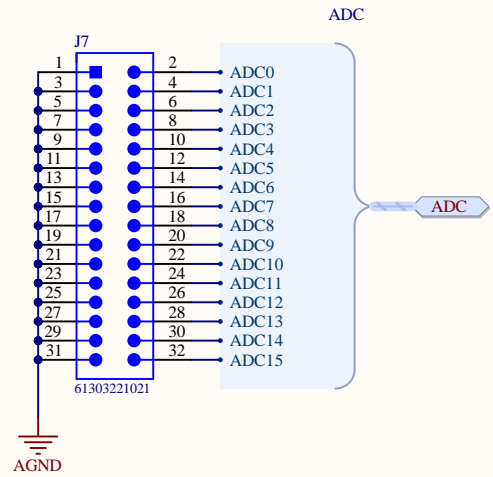
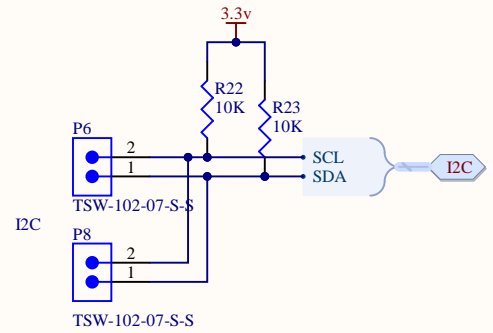
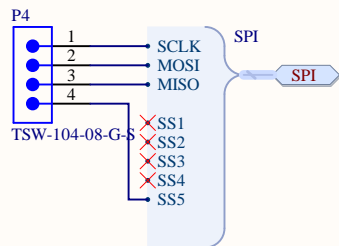
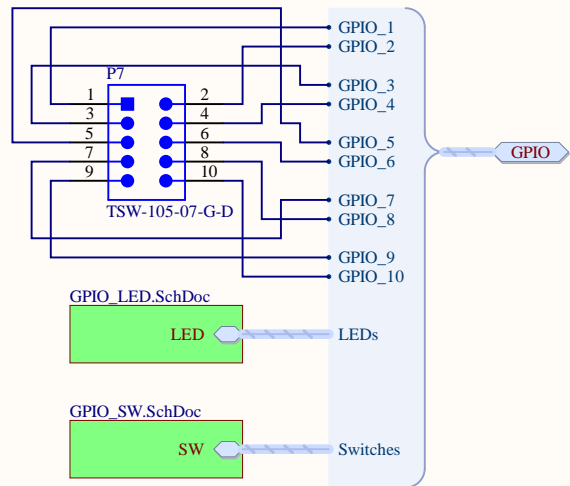


Title FMC Connector Top		
Size A	Number 8	Revision 0.0.1
Date:	4/07/2020	Sheet s of 15
File:	C:\Users\...\FMC_top.SchDoc	Drawn By: James Thomas





Title		
I2C Sensors		
Size	Number	Revision
A	9	0.0.1
Date:	4/07/2020	
File:	C:\Users\...\I2C_sensors.SchDoc	Sheet 9 of 15
	Drawn By:	Sam Bagley



Title		
External Connections		
Size	Number	Revision
A	10	0.0.1
Date:	4/07/2020	Sheet 10 of 15
File:	C:\Users\...\Ext_connections.SchDoc	Drawn By: James Thomas

3.3v

SW

EG1218

S1

S2

S3

S4

S5

S6

S7

S8

S9

S10

SW\_1

SW\_2

SW\_3

SW\_4

SW\_5

SW\_6

SW\_7

SW\_8

SW\_9

SW\_10

R34  
10K

R35  
10K

R36  
10K

R37  
10K

R38  
10K

R39  
10K

R40  
10K

R41  
10K

R42  
10K

R43  
10K

DGND

SW

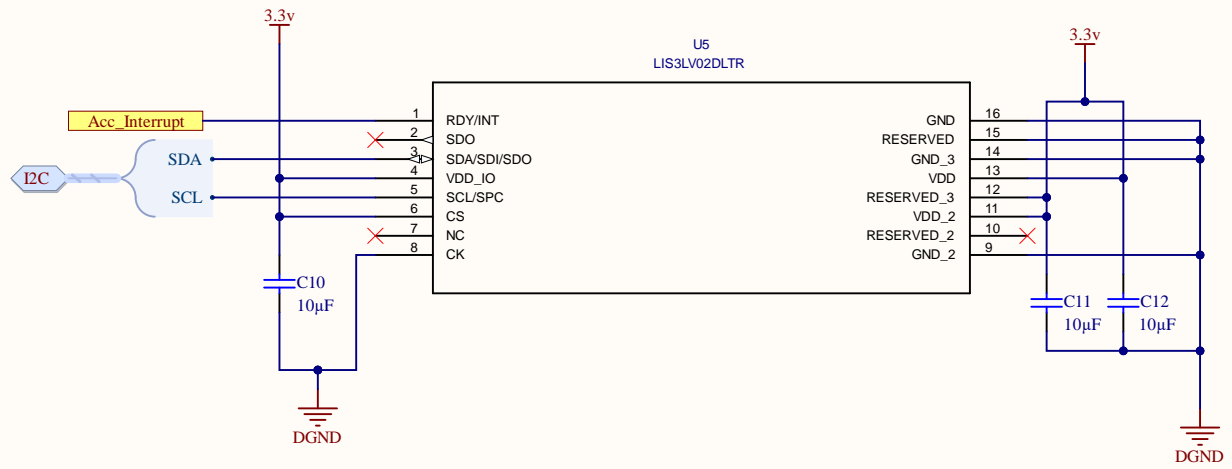
Title GPIO Switches		
Size A	Number 11	Revision 0.0.1
Date:	4/07/2020	Sheet 11 of 15
File:	C:\Users\...\GPIO_SW.SchDoc	Drawn By: James Thomas

1

2

3

4



Title Accelerometer		
Size A	Number 12	Revision 0.0.1
Date:	4/07/2020	Sheet 12 of 15
File:	C:\Users\...\Accelerometer.SchDoc	Drawn By: Zac Carico

J1D

<del>G1</del>	G1	H1	<del>H1</del>
<del>G2</del>	G2	H2	<del>H2</del>
<del>G3</del>	G3	H3	<del>H3</del>
<del>G4</del>	G4	H4	<del>H4</del>
<del>G5</del>	G5	H5	<del>H5</del>
<del>G6</del>	G6	H6	<del>H6</del>
<del>G7</del>	G7	H7	<del>H7</del>
<del>G8</del>	G8	H8	<del>H8</del>
<del>G9</del>	G9	H9	<del>H9</del>
<del>G10</del>	G10	H10	<del>H10</del>
<del>G11</del>	G11	H11	<del>H11</del>
<del>G12</del>	G12	H12	<del>H12</del>
<del>G13</del>	G13	H13	<del>H13</del>
<del>G14</del>	G14	H14	<del>H14</del>
<del>G15</del>	G15	H15	<del>H15</del>
<del>G16</del>	G16	H16	<del>H16</del>
<del>G17</del>	G17	H17	<del>H17</del>
<del>G18</del>	G18	H18	<del>H18</del>
<del>G19</del>	G19	H19	<del>H19</del>
<del>G20</del>	G20	H20	<del>H20</del>
<del>G21</del>	G21	H21	<del>H21</del>
<del>G22</del>	G22	H22	<del>H22</del>
<del>G23</del>	G23	H23	<del>H23</del>
<del>G24</del>	G24	H24	<del>H24</del>
<del>G25</del>	G25	H25	<del>H25</del>
<del>G26</del>	G26	H26	<del>H26</del>
<del>G27</del>	G27	H27	<del>H27</del>
<del>G28</del>	G28	H28	<del>H28</del>
<del>G29</del>	G29	H29	<del>H29</del>
<del>G30</del>	G30	H30	<del>H30</del>
<del>G31</del>	G31	H31	<del>H31</del>
<del>G32</del>	G32	H32	<del>H32</del>
<del>G33</del>	G33	H33	<del>H33</del>
<del>G34</del>	G34	H34	<del>H34</del>
<del>G35</del>	G35	H35	<del>H35</del>
<del>G36</del>	G36	H36	<del>H36</del>
<del>G37</del>	G37	H37	<del>H37</del>
<del>G38</del>	G38	H38	<del>H38</del>
<del>G39</del>	G39	H39	<del>H39</del>
<del>G40</del>	G40	H40	<del>H40</del>

ASP-134488-01

Title FMC Connector GH		
Size A	Number 13	Revision 0.0.1
Date:	4/07/2020	Sheet 13 of 15
File:	C:\Users\...\FMC_connector_GH.SchDoc	Drawn By: James Thomas

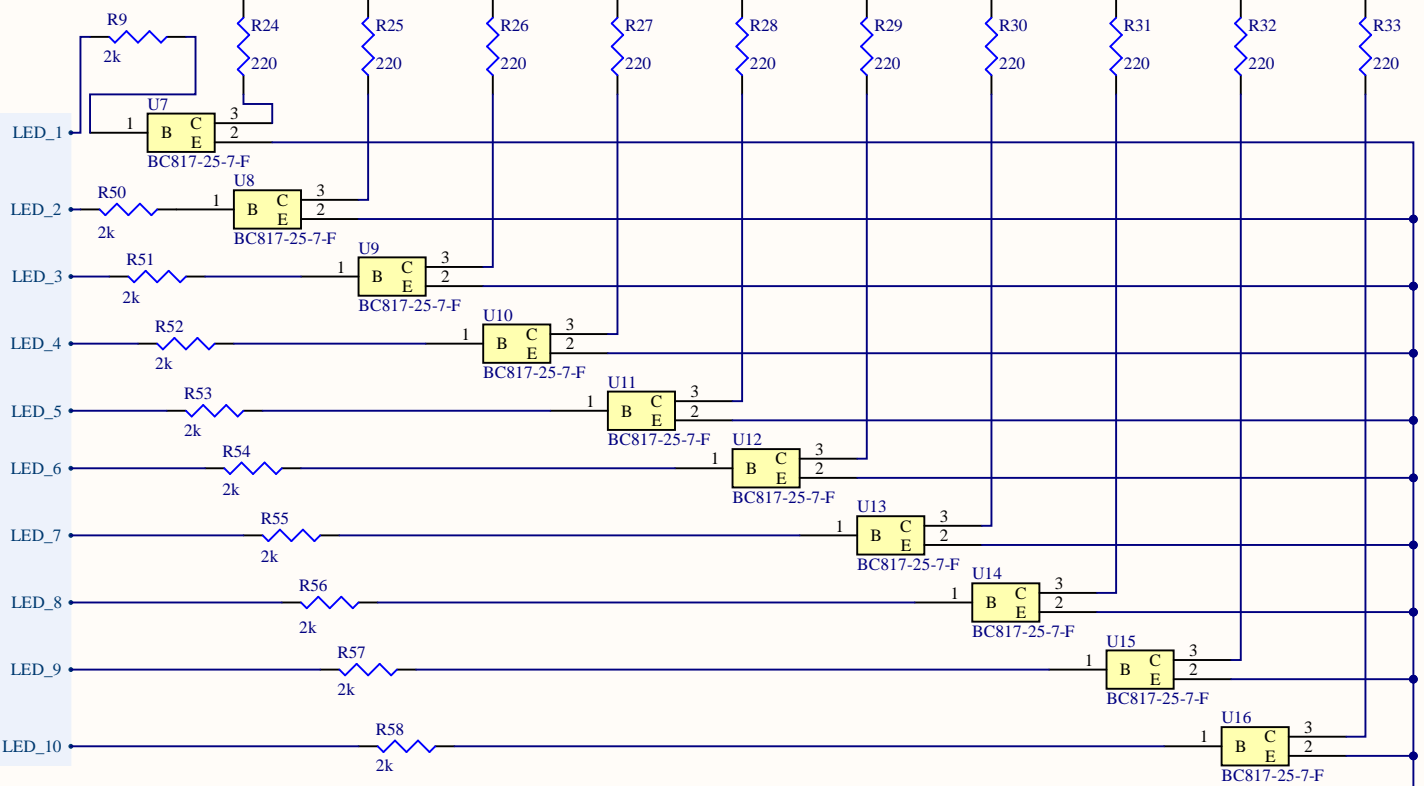
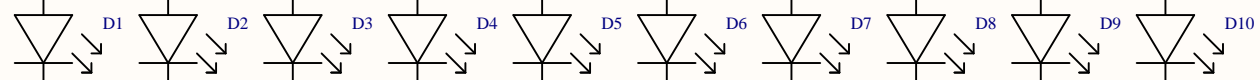
J1E

<del>J1</del>	J1	K1	<del>K1</del>
<del>J2</del>	J2	K2	<del>K2</del>
<del>J3</del>	J3	K3	<del>K3</del>
<del>J4</del>	J4	K4	<del>K4</del>
<del>J5</del>	J5	K5	<del>K5</del>
<del>J6</del>	J6	K6	<del>K6</del>
<del>J7</del>	J7	K7	<del>K7</del>
<del>J8</del>	J8	K8	<del>K8</del>
<del>J9</del>	J9	K9	<del>K9</del>
<del>J10</del>	J10	K10	<del>K10</del>
<del>J11</del>	J11	K11	<del>K11</del>
<del>J12</del>	J12	K12	<del>K12</del>
<del>J13</del>	J13	K13	<del>K13</del>
<del>J14</del>	J14	K14	<del>K14</del>
<del>J15</del>	J15	K15	<del>K15</del>
<del>J16</del>	J16	K16	<del>K16</del>
<del>J17</del>	J17	K17	<del>K17</del>
<del>J18</del>	J18	K18	<del>K18</del>
<del>J19</del>	J19	K19	<del>K19</del>
<del>J20</del>	J20	K20	<del>K20</del>
<del>J21</del>	J21	K21	<del>K21</del>
<del>J22</del>	J22	K22	<del>K22</del>
<del>J23</del>	J23	K23	<del>K23</del>
<del>J24</del>	J24	K24	<del>K24</del>
<del>J25</del>	J25	K25	<del>K25</del>
<del>J26</del>	J26	K26	<del>K26</del>
<del>J27</del>	J27	K27	<del>K27</del>
<del>J28</del>	J28	K28	<del>K28</del>
<del>J29</del>	J29	K29	<del>K29</del>
<del>J30</del>	J30	K30	<del>K30</del>
<del>J31</del>	J31	K31	<del>K31</del>
<del>J32</del>	J32	K32	<del>K32</del>
<del>J33</del>	J33	K33	<del>K33</del>
<del>J34</del>	J34	K34	<del>K34</del>
<del>J35</del>	J35	K35	<del>K35</del>
<del>J36</del>	J36	K36	<del>K36</del>
<del>J37</del>	J37	K37	<del>K37</del>
<del>J38</del>	J38	K38	<del>K38</del>
<del>J39</del>	J39	K39	<del>K39</del>
<del>J40</del>	J40	K40	<del>K40</del>

ASP-134488-01

Title FMC Connector JK		
Size A	Number 14	Revision 0.0.1
Date:	4/07/2020	Sheet 14 of 15
File:	C:\Users\...\FMC_connector_JK.SchDoc	Drawn By: James Thomas

3.3v



DGND

Title GPIO LEDs		
Size A	Number 15	Revision 0.0.1
Date:	4/07/2020	Sheet: 5 of 15
File:	C:\Users\...\GPIO_LED.SchDoc	Drawn By: James Thomas





